

SONIFEX

RB-VHDA2x4

3G/HD/SD-SDI 2 Input, 8 Output Video Distribution Amplifier

Catalogue





RB-VHDA2x4 3G/HD/SD-SDI 2 Input, 8 Output Video Distribution Amplifier



Category: 3G/HD/SD-SDI Video Distribution Amplifiers.

Product Function: Distributes 2 x SDI

inputs to 4 outputs, or 1 SDI input to 8 outputs.

Typical Applications: Distribution of football HD live feed in OB truck, distribution of video from HD video player.

Features: 2 x SDI inputs, 8 outputs, fully reclocked outputs, AC and DC power supplies provide redundancy, web server for setup.

The RB-VHDA2x4 is a high performance, reliable dual input and eight output digital video distribution amplifier for re-clocking and distributing up to two 3G, HD (high definition) or SD (standard definition) SDI sources.

By default, the RB-VHDA2x4 acts as two independent video distribution amplifiers, with input 1 routed to outputs 1-4 and input 2 routed to outputs 5-8. Either input

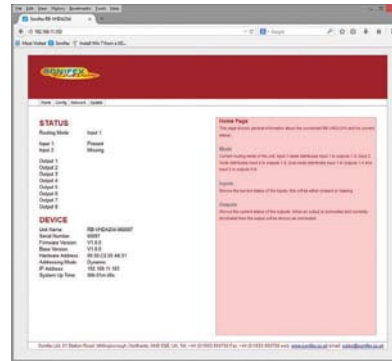
can also be routed to all outputs if desired which can be selected by the Input Select switch on the front panel or via the built-in webserver. The webserver also provides status information for the unit.

The unit provides automatic input detection, re-clocking and cable equalisation of the input signals to 100/350 meters (HD/SD) of coax cable.

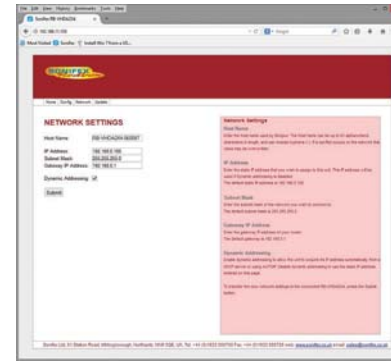
The full range of 3G, SD and HD standards are supported by the unit allowing PAL and NTSC signals up to 1080p 60Hz to be distributed.

Each output is individually buffered providing separately driven outputs for greater reliability.

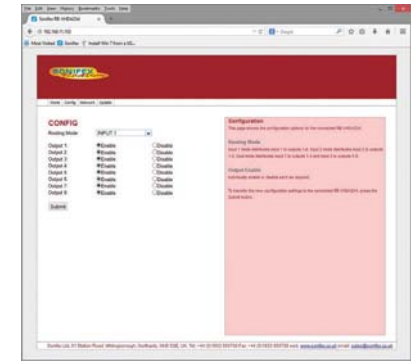
As well as an AC power input, the unit also has a 12V DC input for use, for example, in outside broadcast vehicles. Both power inputs can be used to give a dual redundant power supply; whichever voltage is higher will be used.



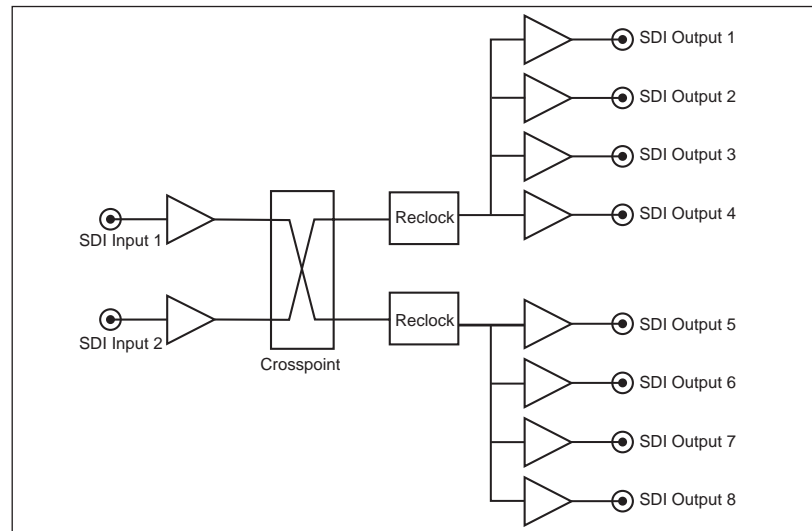
RB-VHDA2x4 Home Page.



RB-VHDA2x4 Network Page.



RB-VHDA2x4 Configuration Page.



RB-VHDA2x4 Block Diagram.

Specification For RB-VHDA2X4

Audio Specification

Compatible Standards:	SMPTE-424M (3G) SMPTE-292M (HD-SDI) SMPTE-259M-AC1 (SD-SDI) SMPTE 344M DVB-ASI at 270Mb/s
-----------------------	---

¹ Other rates will be passed without relocking.

Impedance:	75Ω terminating
Equalisation:	Up to 100m of Belden 1694A at 1.485Gbps Up to 350m of Belden 1694A at 270 Mbps

Data Rates:	143, 270, 1483.5,
Fully supported	1485, 2967 & 2970Mbps
Passed but not relocked:	177, 360 & 540Mbps

Relocking & Equalisation:	Automatic
Resolution:	Automatic
Return Loss:	>15dB at 1500MHz
Output Jitter:	<0.2UI
Signal Level:	800mV ±10%

Front Panel Indicators

Power LED:	Red indicates power is present
Input Status 1 & 2 LEDs:	Green indicates signal is present, flashing red indicates signal is missing.

Rear Panel Connections

3G/HD/SD-SDI Video Input:	2 x BNC (Unbalanced)
3G/HD/SD-SDI Video Outputs:	8 x BNC (Unbalanced)
Ethernet Port:	RJ45 with status LEDs
Power Supply: AC:	Filtered IEC, continuously rated 85-264VAC, 47-63Hz, fused, max 10W
Fuse Rating: DC:	Anti-surge fuse 1A 20 x 5mm 12V 300mA max, DC supply, 2.5mm socket fused

Equipment Type

RB-VHDA2x4:	3G/HD/SD-SDI 2 inputs, 8 output video distribution amplifier
-------------	--

Physical Specification

Dimensions (Raw):	48cm (W) x 10.8cm (D) x 4.3cm (H) 19" (W) x 4.3" (D) x 1.7" (H) (1U)
Dimensions (Boxed):	58.5cm (W) x 22.5cm (D) x 7cm (H) 23" (W) x 8.9" (D) x 2.8" (H)
Weight:	Nett: 1.3kg Gross: 1.9kg Nett: 2.9lbs Gross: 4.2lbs

Accessories

RB-RK3:	1U Rear panel rack kit for large Redboxes
---------	---

SONIFEX

www.sonifex.co.uk

UK Office:

Sonifex Ltd

61 Station Road, Irthlingborough,

Northants, NN9 5QE, UK

Tel: +44 (0) 1933 650700

Fax: +44 (0) 1933 650726

Email: sales@sonifex.co.uk

Australian Office:

Sonifex Pty Ltd

12/6 Leighton Place,

Hornsby NSW 2077, Australia

Tel: +61 (2) 9987 0499

Fax: +61 (2) 9476 4950

Email: sales@sonifex.com.au